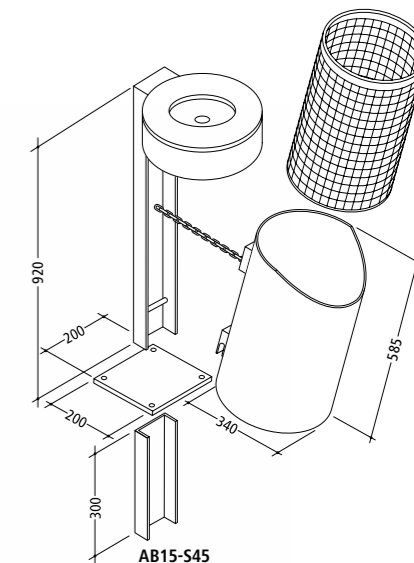




AB15-S45



Trash bin

ZWILLINGsmile Series AB15



Combination made of PROFIsmile with self-extinguishing ashtray in roof Trash bin-Ashtray combination for embedding in concrete or wall mounting, trash bin round, volume approx. 45 l, diameter 340 mm, bin height 585 mm, height grade approx. 920 mm, slanted front receptacle opening, round roof made of sheetmetal with integrated ashtray, ashtray with bottom pusher, bin locked with lock in the U profile brace; installed height min. 240 mm up to lower bin edge.

Technical description:

Sheetmetal hot-dip galvanized. Secured with 7 mm triangle lock. Funnel-shaped ashtray integrated in roof, with floor pusher. Weather-resistant, secured against unauthorized bin removal and household trash deposits.

Function

Trash bin: Disposal in seconds: Disengage triangle lock – bin tilts forward. Remove and empty bin or insert (see option). Push bin into lock – done!
Ashtray: Open floor pusher while trash bin is closed – ash drops into bin thereunder.

Order No.	Version	Weight
AB15-S45	ZWILLINGsmile 45 l, brace long	25 kg
BP1	floor plate 200 x 200 mm welded	
AB15-W45	ZWILLINGsmile 45 l, wall mounting bracket	23 kg
MK1	Mast adapter + steel strap, 2 pcs.	

Order No.	Version
AB15-S/W45R	painted in RAL/DB ...
DKR45	wire basket insert 45 l, round
BER45	sheetmetal insert 45 l, round