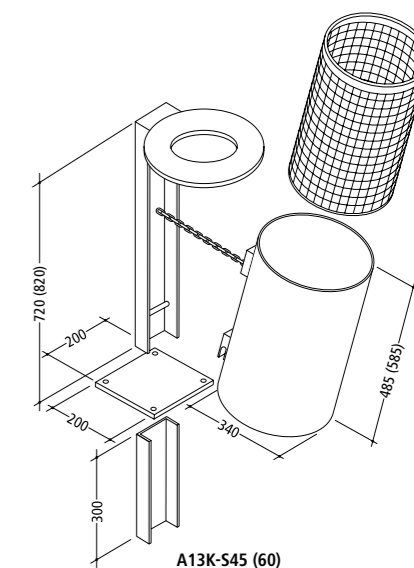


PROflrund A13K-S45



A13K-S60



A13K-S45 (60)



Trash bin

## PROflrund Series A13K



Round trash bin on U profile brace with flat and lowered roof. Trash bin for embedding in concrete or wall mounting, trash bin round, volume approx. 45 (60) l, diameter 340 mm, bin height 485 (585) mm, height grade approx. 720 (820) mm, round roof made of sheetmetal with reduced receptacle opening size, bin locked with lock in U profile brace; installed height min. 240 mm up to lower bin edge. Receptacle diameter approx. 160 mm.

### Technical description:

Choice of sheetmetal or perforated sheetmetal, hot-dip galvanized. Crimped bin edges. Secured with 7 mm triangle lock. Secured against unauthorized bin removal and household trash deposits.

### Function

Disposal in seconds: Disengage triangle lock – bin tilts forward. Remove and empty bin or insert (see option). Push bin into lock – done!

Order No.	Version	Weight	Version	45 liters	60 liters
A13K-S45	PROflrund 45 l, reduced receptacle opening size, brace long	25 kg	Painted in RAU/DB ...	A13-S/W45R	A13-S/W60R
A13K-S60	PROflrund 60 l, reduced receptacle opening size, brace long	27 kg	PROflrund bin made of perforated sheetmetal	A13-45LB	A13-60LB
BP1	floor plate 200 x 200 mm welded		Wire basket insert, round	DKR45	DKR60
A13K-W45	PROflrund 45 l, reduced receptacle opening size, wall mounting bracket	23 kg	Sheetmetal insert, round	BER45	BER60
A13K-W60	PROflrund 60 l, reduced receptacle opening size, wall mounting bracket	25 kg			
MK1	Mast adapter + steel strap, 2 pcs.				

Version with integrated ashtray insert KAD see page 132.