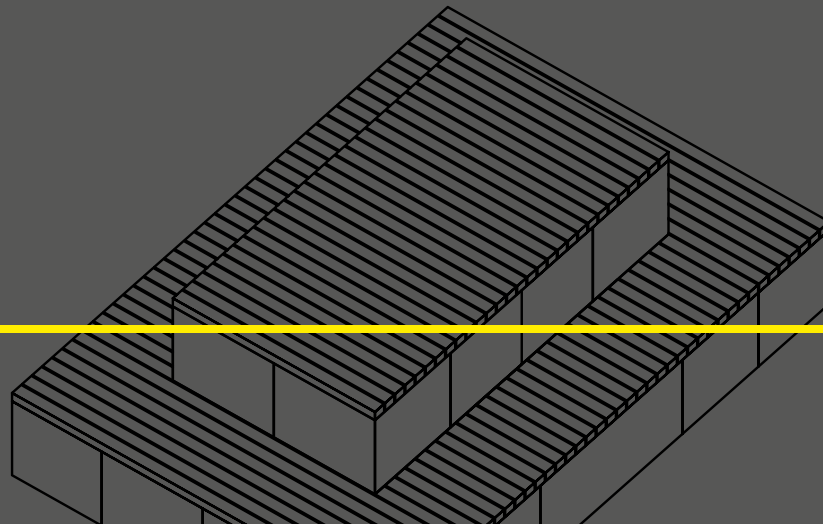


**CREATING TOMORROW'S  
LIVING SPACES TODAY**



**CUBUS**



 **NUSSER**  
S T A D T M Ö B E L

WOOD. HEART. CRAFT.

# CUBUS

## Modular Design for resilient Cities

CUBUS combines seating and lounging elements with planters in a modular system that can be freely configured – from single units to large-scale installations. The result is inviting spaces that bring together greenery, comfort, and opportunities for social interaction.

Generous planting volumes allow even small trees to be integrated, providing shade and cooling. Removable, frost-resistant inner containers make maintenance and plant replacement easier, improve water retention, and enable flexible or temporary use of the installations.

Compact steel elements ensure simple assembly without the need for heavy equipment, making CUBUS suitable even for rooftops and other challenging environments.

CUBUS is a precise tool for architects, landscape architects, and municipalities who aim to create functional, adaptable, and climate-resilient urban spaces.



## Key Advantages at a Glance



### Modularity

Nine combinable modules in various configurations – suitable for everything from small setups to large-scale installations.



### Greenery & Recreation

Seating and lounging elements combined with generous planting volumes – even suitable for small trees.



### Climate Impact

Provides cooling, natural shading, and effective water retention



### Easy Installation

Compact steel elements – no heavy equipment required. Also suitable for rooftop applications.



### Reversibility

Flexible in use, easy to dismantle, and fully reusable.

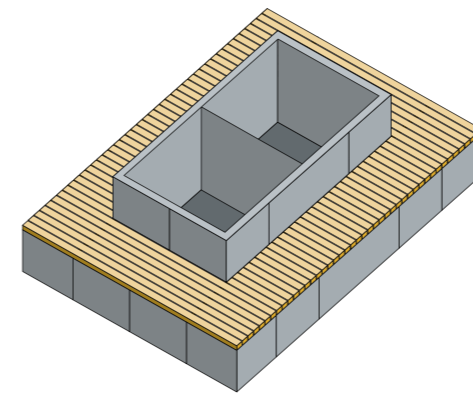




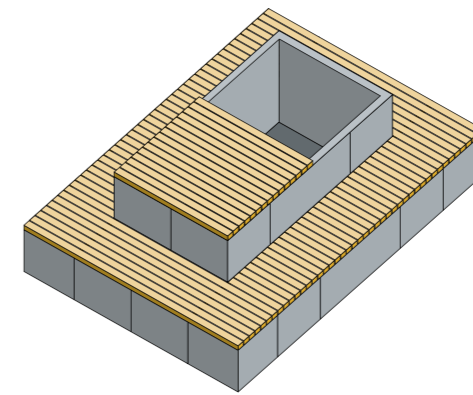




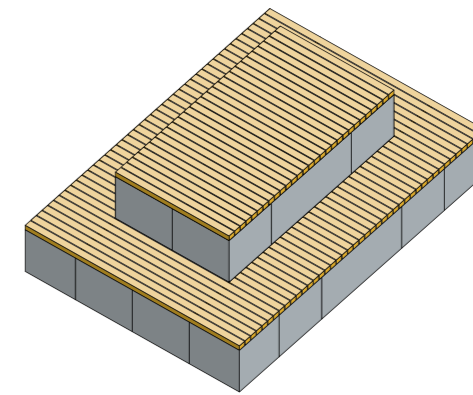
# The CUBUS System



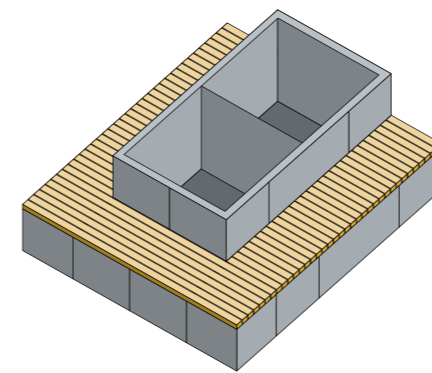
CUBUS-A



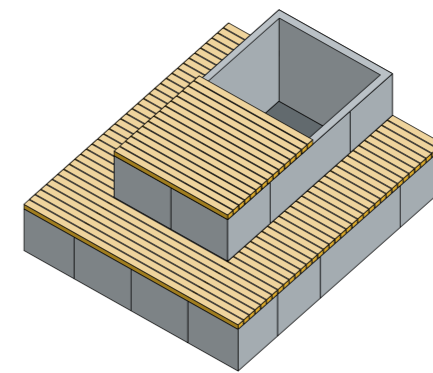
CUBUS-A1



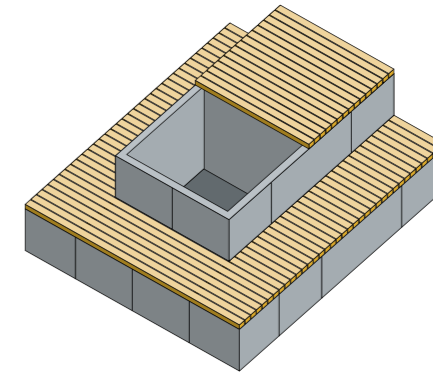
CUBUS-A2



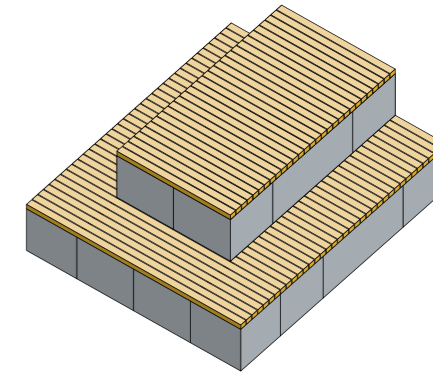
CUBUS-B



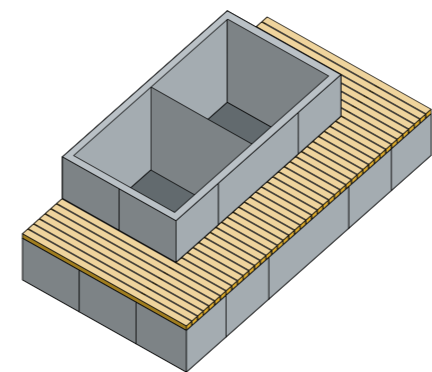
CUBUS-B1-L



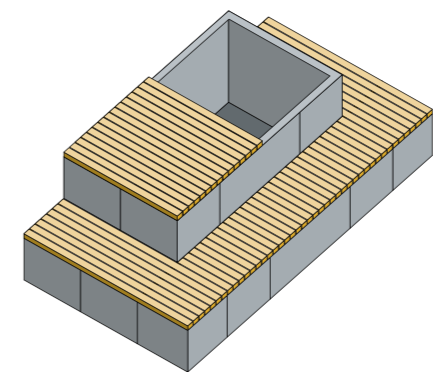
CUBUS-B1-R



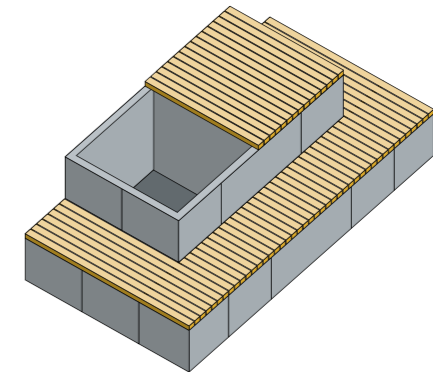
CUBUS-B2



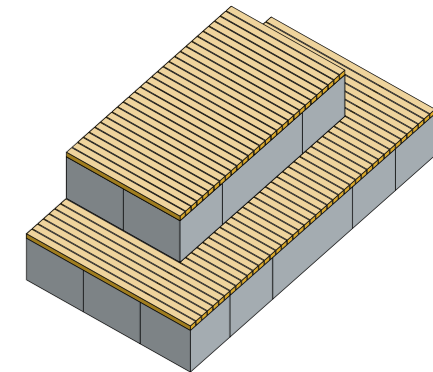
CUBUS-C



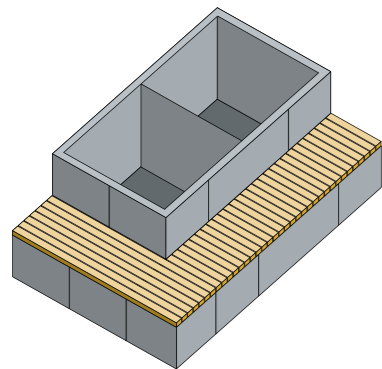
CUBUS-C1-L



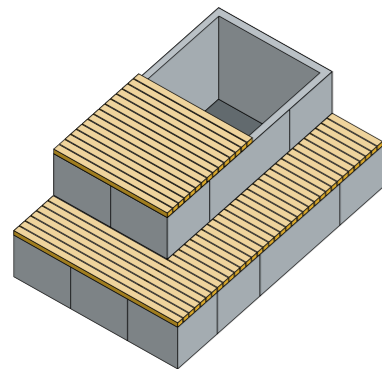
CUBUS-C1-R



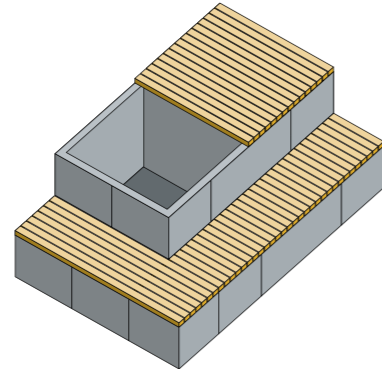
CUBUS-C2



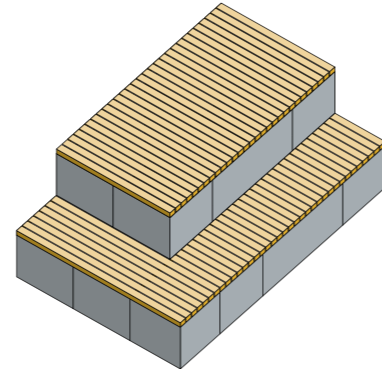
CUBUS-D



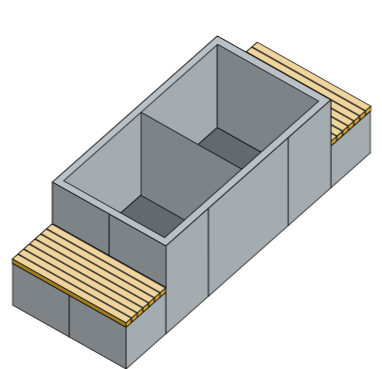
CUBUS-D1-L



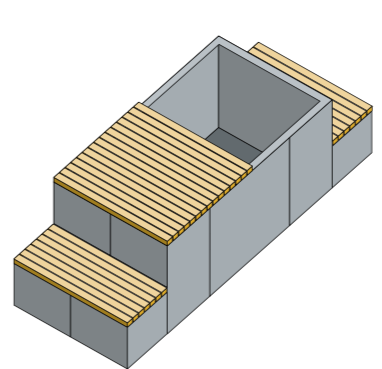
CUBUS-D1-R



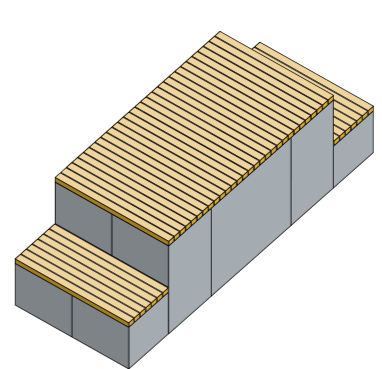
CUBUS-D2



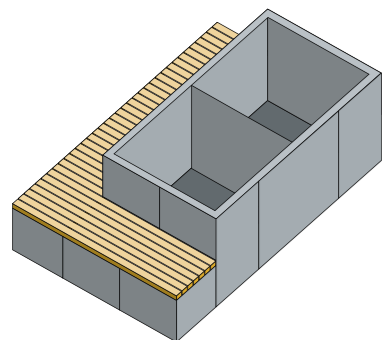
CUBUS-G



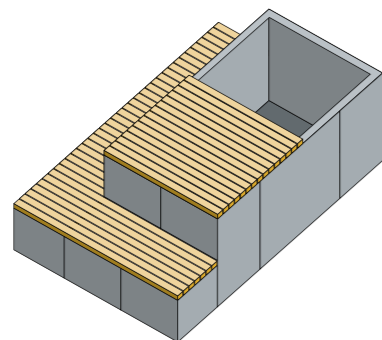
CUBUS-G1



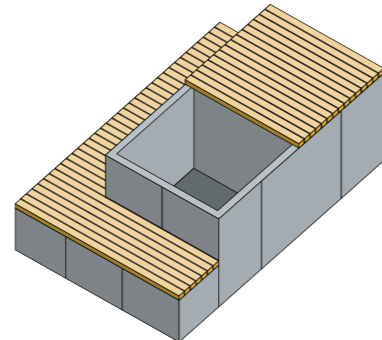
CUBUS-G2



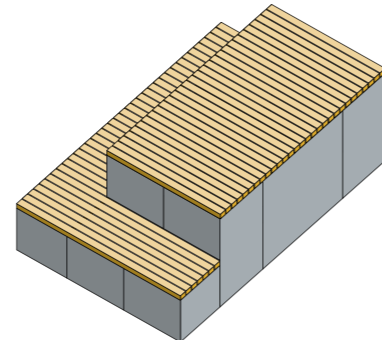
CUBUS-E



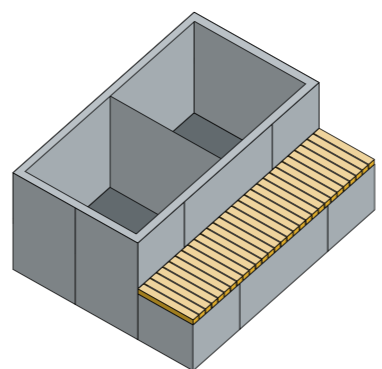
CUBUS-E1-L



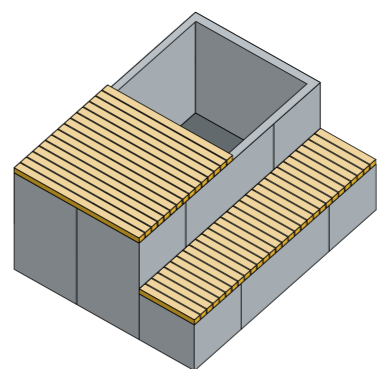
CUBUS-E1-R



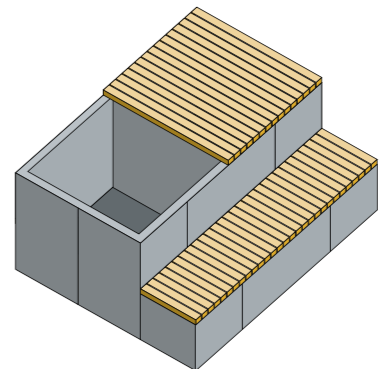
CUBUS-E2



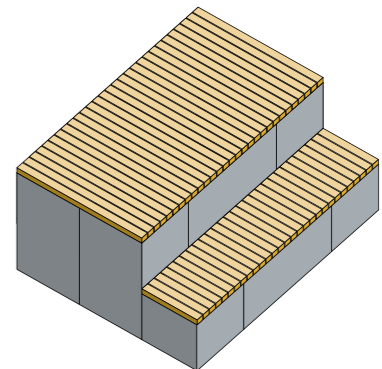
CUBUS-H



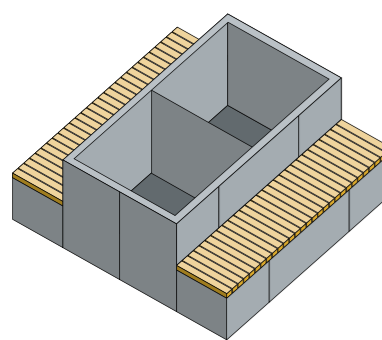
CUBUS-H1-L



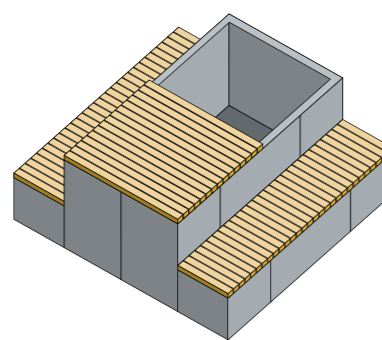
CUBUS-H1-R



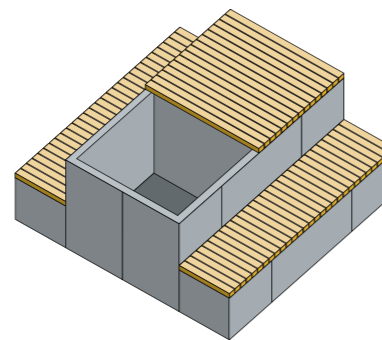
CUBUS-H2



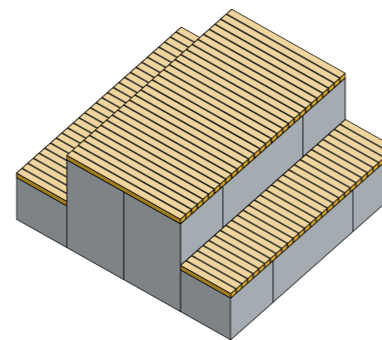
CUBUS-F



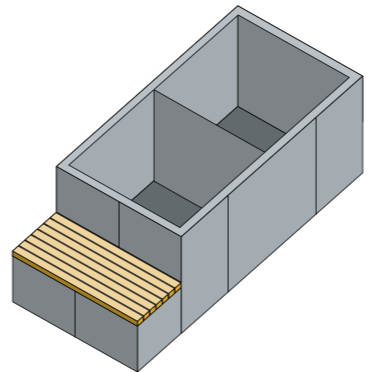
CUBUS-F1-L



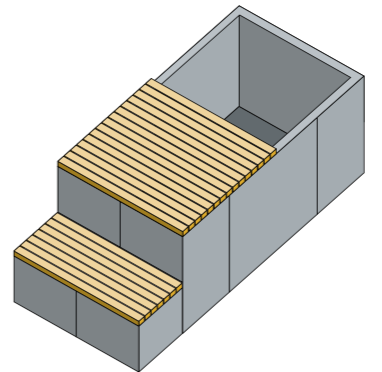
CUBUS-F1-R



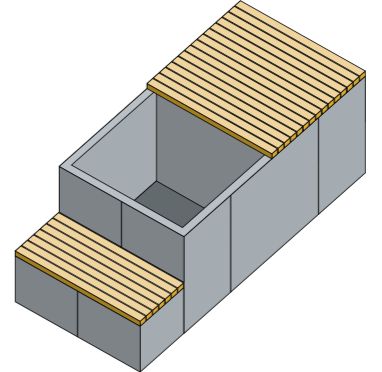
CUBUS-F2



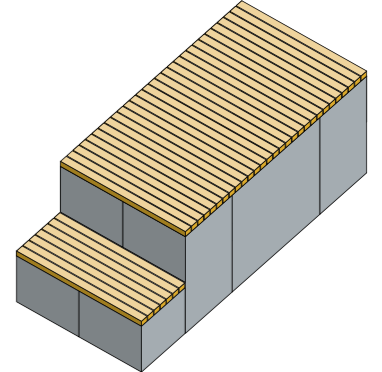
CUBUS-I



CUBUS-I1-L



CUBUS-I1-R



CUBUS-I2

# Crafted for Life

## We are ...

... an independent company within the NUSSER GROUP. For more than 90 years, we have stood for the creation of forward-looking living spaces through innovative site furnishing. Guided by our vision "Creating living spaces for tomorrow," we develop solutions and products with wood, heart, and craft.

Traditional craftsmanship was instilled in us by our founder, Wilhelm Nusser, and we have carried this commitment to the careful processing of both natural and technical materials into the present day.

We offer a wide range of urban furniture distinguished by quality, functionality, and design. Sustainability and environmental awareness are central to our production processes – using high-quality materials and eco-friendly methods.

With a strong focus on quality, innovation, and customer satisfaction, we develop tailor-made solutions for cities and municipalities. By working closely with urban planners and architects, we help shape public spaces that are both functional and aesthetically appealing.

All our products are manufactured exclusively in our own production facilities by our own employees. This enables us to guarantee the highest level of quality while maintaining flexibility – for long-lasting durability. Made for Life. Built to Last.

## Sustainability ...

... begins right at our own doorstep. With our photovoltaic systems, we now generate nearly 530,000 kWh of electricity per year – about twice the annual energy consumption of the entire NUSSER GROUP. All wood shavings produced during manufacturing are compressed into briquettes and automatically fed into our heating system. Our vehicle fleet is gradually being converted to electric mobility, and at our sites in Winnenden and Waldbröl, we have installed partially public charging stations.

Since 2009, we have been an FSC®-certified company, processing only wood from responsibly managed forests.

Our certificate number is SCS-COC-001802, and our license code is FSC® C012729.

This certification guarantees that our wood comes exclusively from responsibly managed, sustainable forests. Please ask specifically for our FSC®-certified products.

## Color & Finish Options

The color design of urban furniture is becoming increasingly important. That's why our products are available not only in our standard color DB 703 anthracite iron mica but also in all common RAL/DB color shades. To protect against graffiti and stickers, we can equip all products with an appropriate protective coating.

You'll find our complete product range, our sales and delivery terms (GTC), and further information on the materials we use on our website. We are on CADdetails and also provide BIM files free of charge to support your planning. We're happy to advise you personally as well if you have questions or would like a consultation, please email or call us.

stadtmoebel.de | nusser@stadtmoebel.de | +49 (0)7195 / 693-111

SCS Global Services does hereby certify that an independent audit has been completed and conformity to the applicable standard(s) has been confirmed for:

**Nusser Stadtmöbel GmbH & Co. KG**  
Max-Eyth-Straße 33, 71364 Winnenden, Germany

**This single-site FSC certificate with multiple sites covers the manufacturing of outdoor furniture and gardening and other outdoor furniture and gardening products using the transfer system.**  
The facility(s) are hereby Chain of Custody certified to sell products as:

**FSC 100%**  
The assessment has been conducted by SCS Global Services in accordance with the protocols of the Forest Stewardship Council® A.C. (FSC®).  
FSC Standard: FSC-STD-40-004; FSC-STD-50-001

Certificate Code: SCS-COC-001802  
Trademark License Code: FSC-C012729

Valid from: 01/05/2024 Expiry date: 30/04/2029

  
The mark of responsible forestry

  
SCS global SERVICES  
Maggie Schwarz, Vice President, Program Development  
SCS Global Services  
2000 Powell Street, Ste. 600, Emeryville, CA 94608 USA

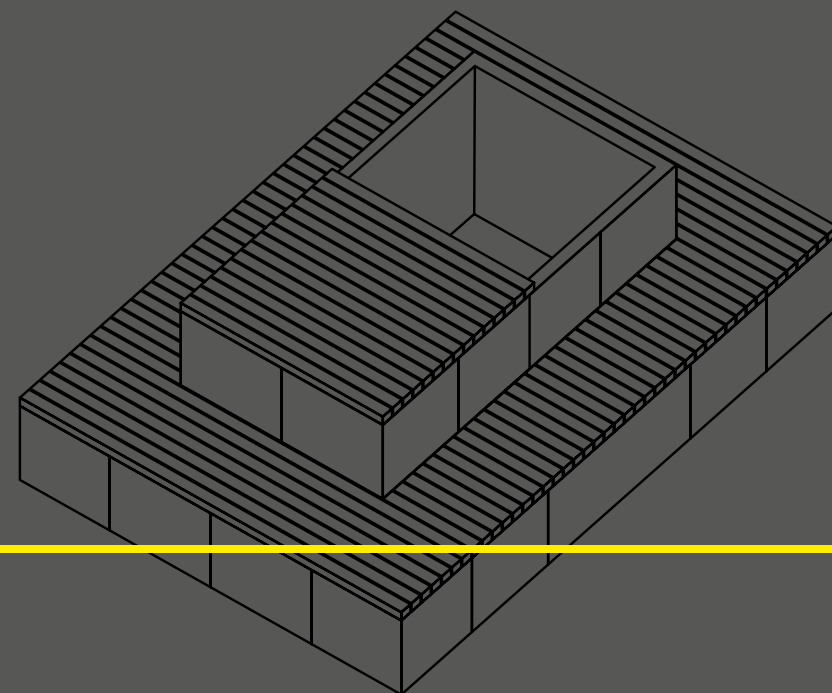
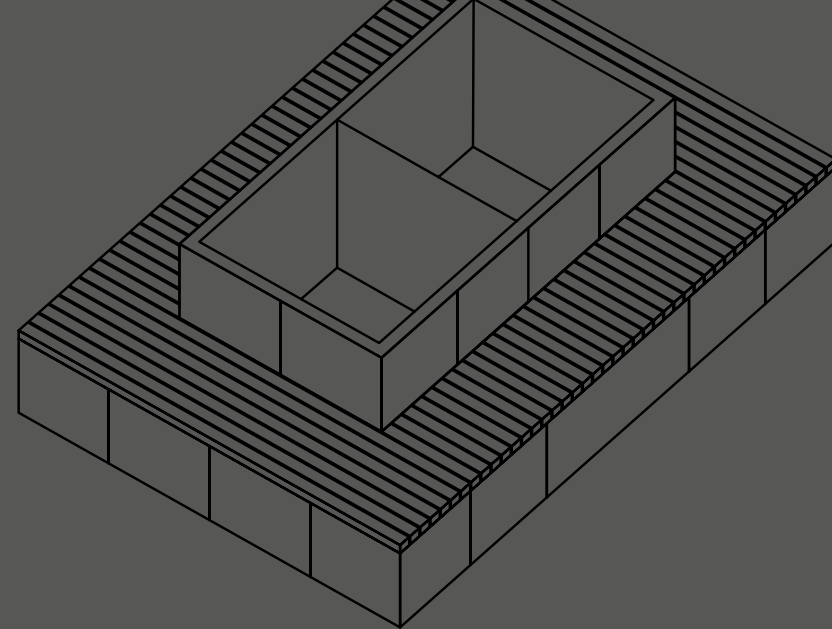
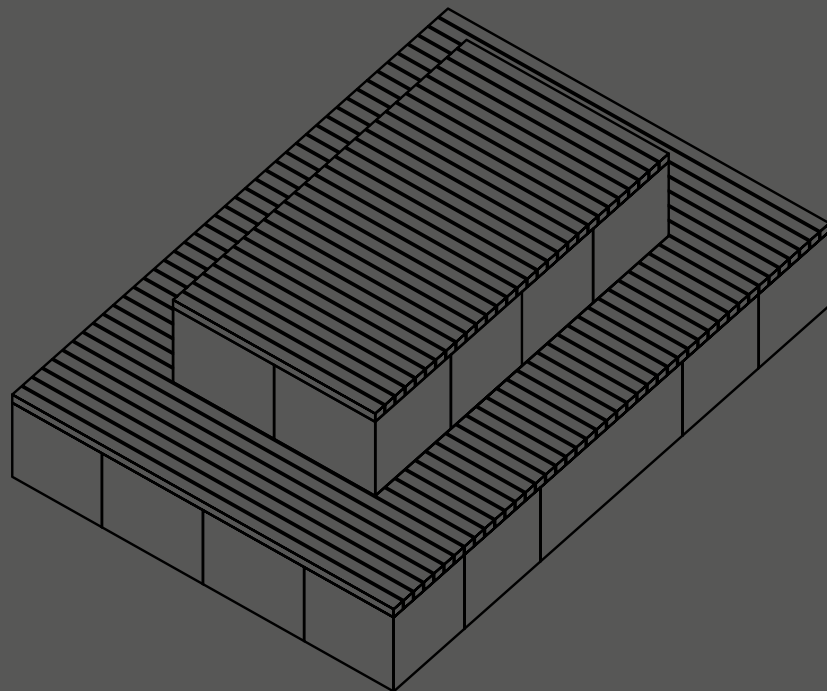
FSC® Certificate

Printing Note

Color variations due to printing technology, as well as technical changes and errors, are reserved.

Status: Oktober 2025





**Nusser Stadtmöbel GmbH & Co. KG**

Max-Eyth-Str. 33  
71364 Winnenden

Phone +49 (0)7195 / 693-111  
Fax +49 (0)7195 / 693-123

nusser@stadtmoebel.de  
stadtmoebel.de